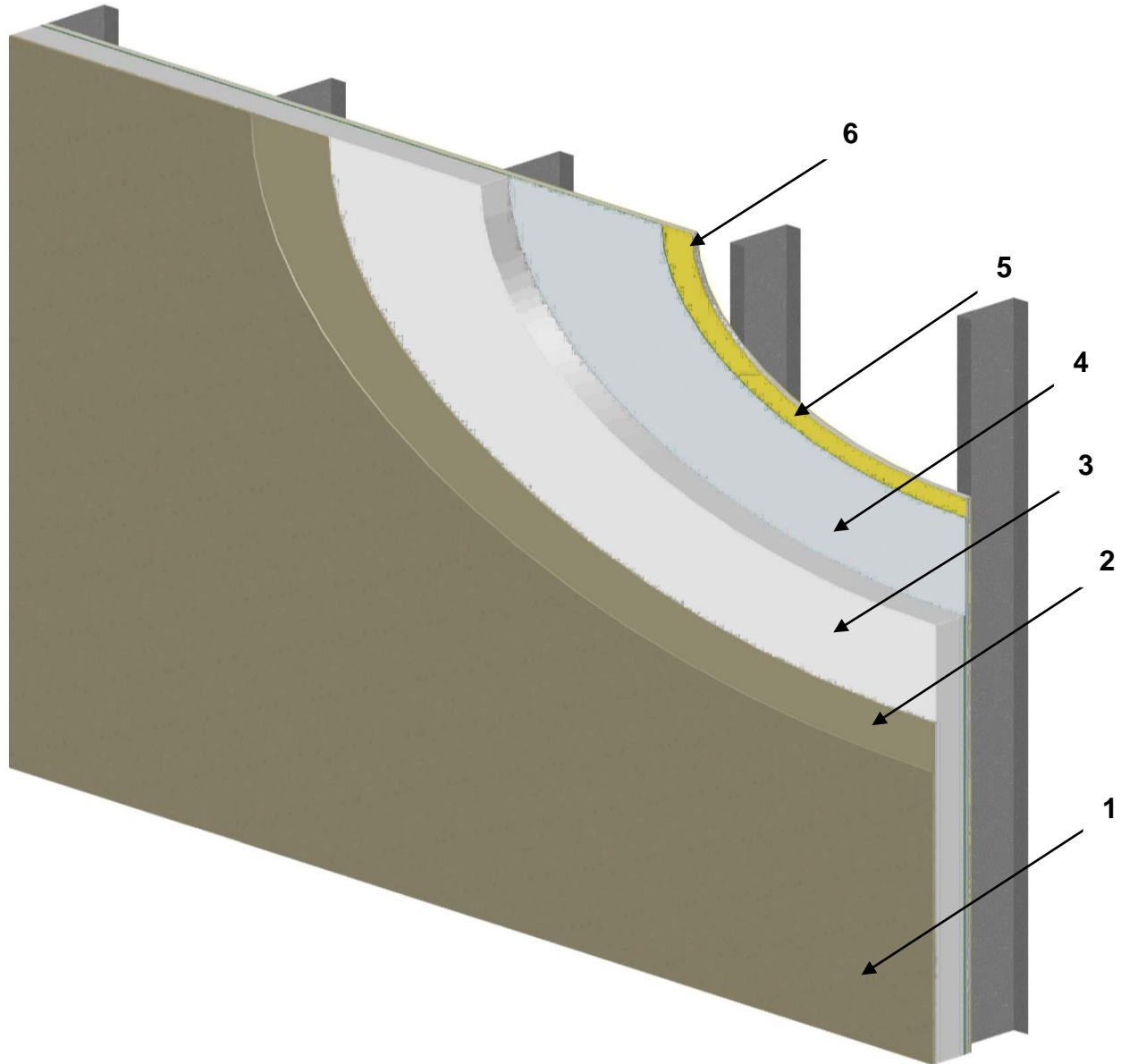


QAI Design B1039-1b – DuROCK Alfacing International Ltd. - NBC 3.2.3.8 (CAN/ULC S101)
15 minute Remain-in-place - Fire-Resistance-Rated Construction



No.	COMPONENT	DESCRIPTION						
EIFS System			InsulROCK		PUCCS			
1	Finish Coat	Certified Manufacturer:		DuROCK Aflacing International Ltd.				
		Certified Product:		DuROCK Finish				
		Primer:		With or without a water-based acrylic primer				
2	Mesh	Density:		Minimum 150 g/m ² (4.4 oz/yd ² .)				
		Type:		Alkali-resistant glass-fiber mesh embedded in base coat.				
	Installation:		Back wrapping the mesh and base coat are required on all joints, openings, or perimeter terminations. Minimum 100 mm (4") overlap on all mesh edges.					
	Base Coat	Certified Manufacturer:		DuROCK Aflacing International Ltd.				
Certified Products:		Prep-Coat, Prep-Coat P & Prep-Coat D base coats, meets the requirements of CAN/ULC S114 Non-combustible						
Coating Thickness:		Average thickness of 2.5 mm (100 mils), Minimum required thickness of 2.0 mm (80 mils)						
3	Insulation	Product:		Approved and Labeled - Type 1 or Type 2 EPS flat insulation boards at thicknesses outlined below.	Approved and Labeled - Type 1 or Type 2 EPS insulation boards at thicknesses outlined below, with drainage pathways cut 10 mm (3/8") deep in the insulation in a series of circles, 86 mm (3-3/8") in diameter and 16 mm (5/8") apart.			
		Density:		Type 1: Nominal density: 16 kg/m ³ (1.0 lbs/ft ³) Maximum density: 19 kg/m ³ (1.15 lbs/ft ³) Type 2: Nominal density: 23 kg/m ³ (1.4 lbs/ft ³) Maximum density: 27 kg/m ³ (1.60 lbs/ft ³)				
		Flame Spread Index:		Maximum flame spread index of 290 when tested in accordance with CAN/ULC S102.2				
		Board Size:		610 mm x 1219 mm (24" x 48")				
		Thickness:		Type 1: Maximum 152 mm (6 inches)		Type 2: Maximum 110 mm (4 ¼ inches)		
4	Adhesive/ Fastener Detail	Adhered:	Adhesives:	Polar Bear, Cement Bear, Prep-Coat or Prep-Coat D	Assembly 1	Assembly 2	Assembly 3	
			Application:	The adhesive is applied with a 9.5mm (3/8") notched trowel in vertical ribbons, held at a 30° angle	Polar Bear	Cement Bear, Prep-Coat or Prep-Coat D	Not Used	
		Mechanically fastened:		Insulation boards fastened with corrosion resistant fasteners with low-profile HDPP washers spaced 400 mm (16") o.c. horizontally and 300 mm (12") o.c. vertically, drilled and screwed with sufficient penetration to provide appropriate anchorage (see item 5).				
5	Weather Resistive Barrier	Coating/Membrane Product:		FRI Bear, Polar Bear, Cement Bear, Vapour Block or Roller Bear applied coatings	FRI Bear, Polar Bear or Roller Bear applied coatings	FRI Bear, Polar Bear, Cement Bear, Vapour Block or Roller Bear applied coatings	Soprema SOPRASEAL STICK 1100T membrane	
		Installation:		Coatings applied to substrate with a flat trowel: FRI Bear: Minimum thickness of 0.28 mm (10 mils) per coat Polar Bear: Minimum wet thickness of 1.5 mm (60 mils) per coat. Cement Bear: Minimum wet thickness of 1.25 mm (50 mils) per coat. Vapour Block: Minimum wet thickness of 0.80 mm (32 mils) per coat. Coatings applied to substrate with a roller: Roller Bear: Minimum thickness of 0.28 mm (10 mils) per coat				Applied directly to the substrate
		Flashing:		DuROCK Uni-Track or Uni-Flash (PolyVinyl Chloride (PVC) extrusions) may be either embedded into the wet DuROCK Air/Moisture Barrier appropriate for the substrate or it may be mechanically fastened to the substrate with corrosion-resistant screws.				
6	Substrate	Type:		Brick, Masonry, Monolithic Concrete Walls, or Approved and Labeled - Glass Mat Gypsum Substrate meeting the requirements of ASTM C1177, Approved and Labeled Insulating Concrete Forms (ICF) (where ICF is substrate, total EPS thickness is not to exceed noted amounts outlined in Section 3).				