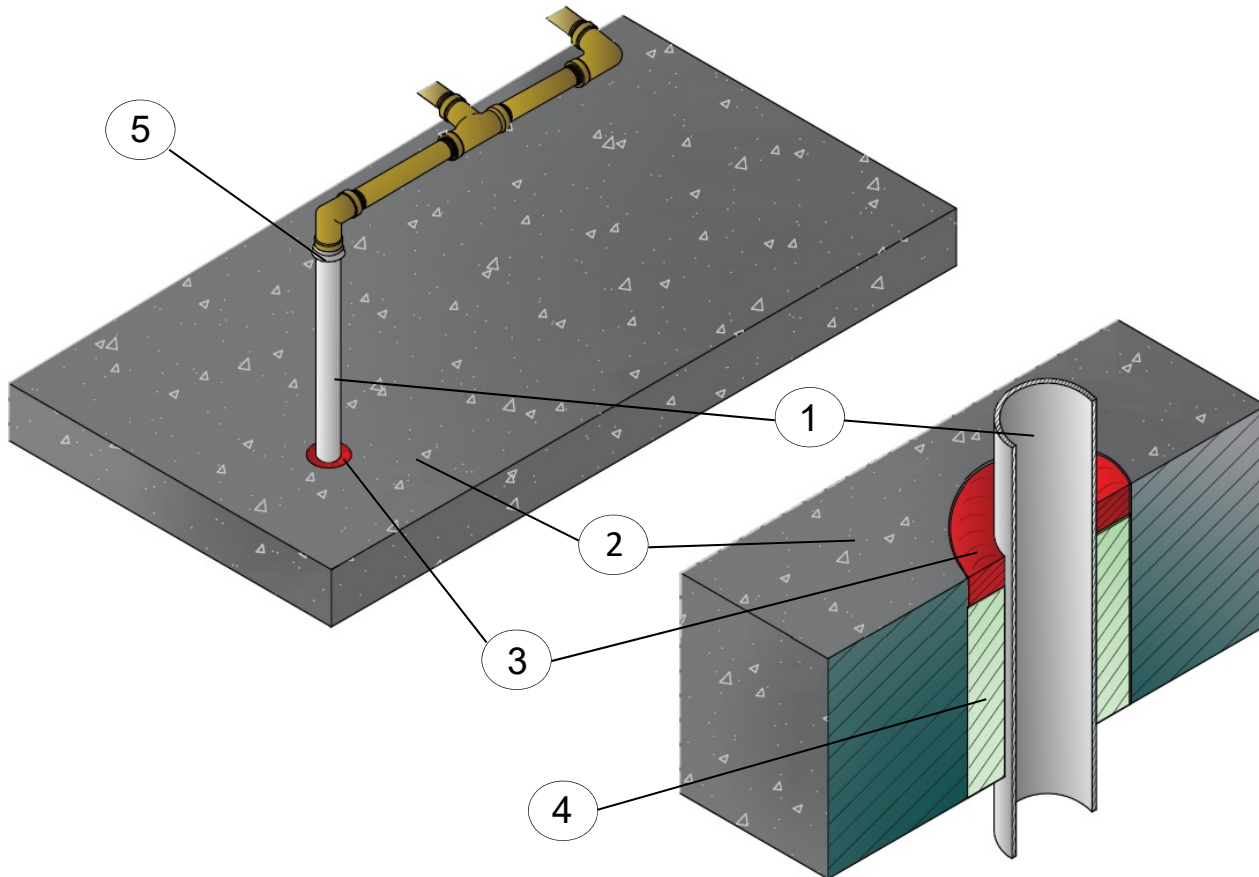


**QAI Listing P321-1J Uponor PEX to Copper Firestop Assembly - ASTM E814, CAN/ULC S115  
 2 hour FH-Rating with 50 Pa Pressure Differential**



No.	COMPONENT	DESCRIPTION	
1	<b>Penetrating Item</b>	Type:	AquaPEX™ (natural, red, blue), hePEX™, helioPEX X2™ and RCW PEX™
		Size:	54 mm OD (Nominal 2 in.)
		Orientation:	Any position in the opening.
2	<b>Floor/Ceiling Assembly</b>	Type:	Lightweight or regular concrete
		Thickness:	Minimum 114 mm (4-1/2 in.)
		Opening:	Maximum 89 mm (3-1/2 in.) and maximum annular space of 35 mm (Nominal 1-1/2 in.)
3	<b>Firestop Component 1</b>	Manufacturer:	Hilti
		Product:	FS-One Max Intumescent Firestop Sealant.
		Depth:	Install to a depth of 25 mm (1 in.) so that the sealant is flush with the top of the concrete. Place a 6 mm (1/4 in.) bead at locations where the pipe is in contact with the concrete.
4	<b>Firestop Component 2</b>	Type:	Mineral wool insulation in compliance with ASTM 612 type II, III or IVA. ASTM C612 Type II and III mineral wool insulation must also be non-combustible as defined by ASTM E136 and CAN/ULC S114.
		Density:	72 kg/m <sup>3</sup> (4.5 lbs/ft <sup>3</sup> )
		Compression:	Minimum 50%
		Installation:	Installed to a minimum depth of 102 mm (4 in.) with a minimum 25 mm (1 in.) recess at the top.
5	<b>Transition</b>	Manufacturer:	Uponor Inc.
		Product:	Copper to PEX Expansion Fitting
		Installation:	Installed a minimum 305 mm (12 in.) from the top of the concrete slab.