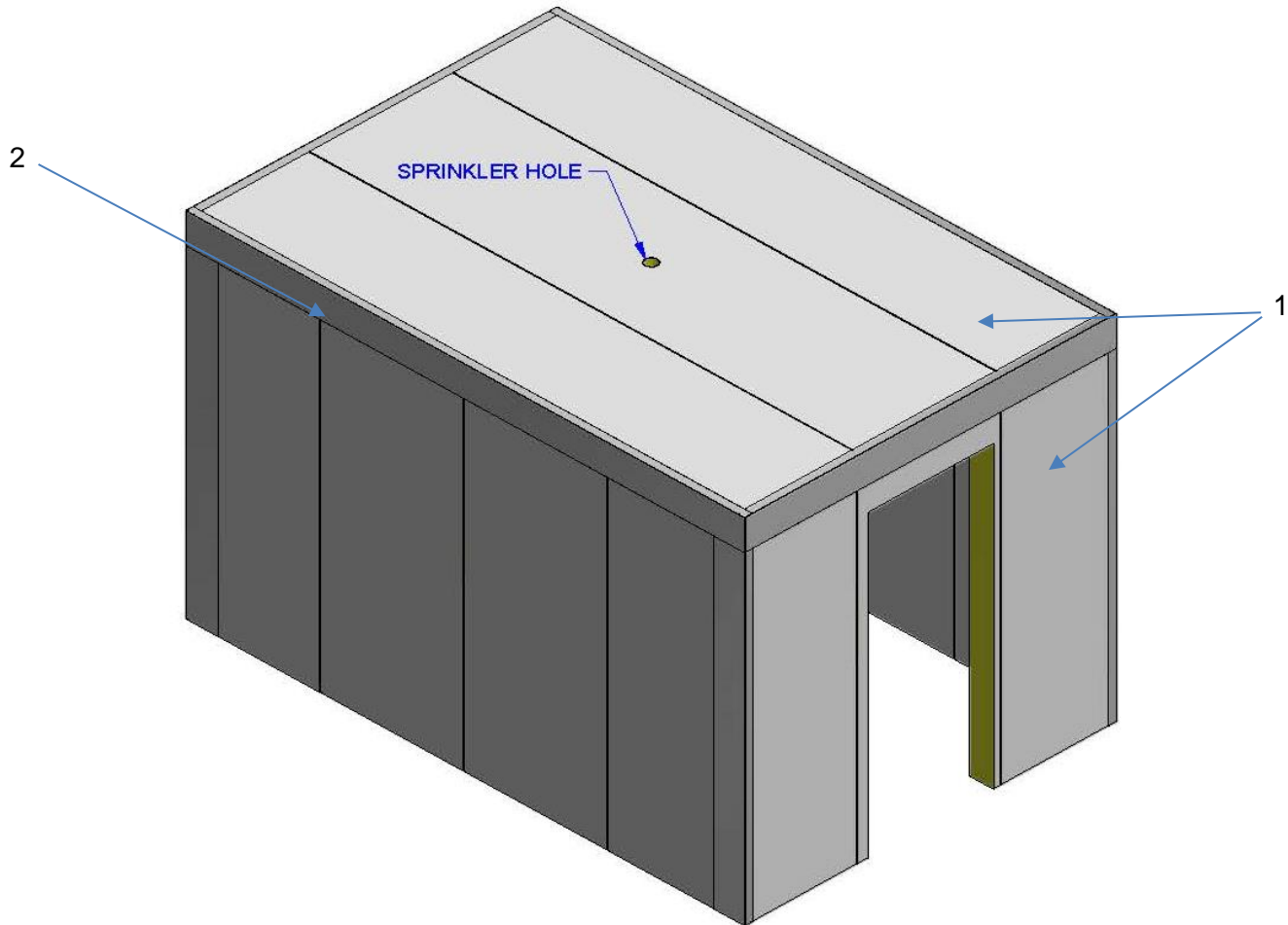


QAI LISTING B1096-1a
NOREX WALL & ROOF / CEILING PANELS
NFPA 286 / CAN/ULC S138 ROOM CONFIGURATION



NUMBER	PART	DESCRIPTION	
1	Ceiling / Wall Panels	Manufacturer:	Norbec Architectural
		Approved Types:	NOREX-L, NOREX-H, NOREX-S, NOREX-M, NOREX-IN Panels.
		Thickness:	51 – 204 mm (2 – 8 inches)
		Core:	Polyisocyanurate (PIR) maximum 41.6 kg/m ³ (2.6 lbs/ft ³).
		Skins:	Minimum 26 Gauge 0.404 mm (.0159 inches)
		Installation:	Panels are factory built with butyl caulking on both female halves of the joint. Optional butyl or silicone caulking can be applied. Panels are flashed at ceiling to wall joint, and corners.
3	Flashing	General:	Light Gauge steel flashing mechanically secured to protect room corner joints.
4	Sprinkler (Not Shown) ULC S138 REQUIRED	General:	155°F (68°C) activation temperature, pendant style listed sprinklers listed by an approved agency.
			Sprinkler not required for NFPA 286 compliant assembly.