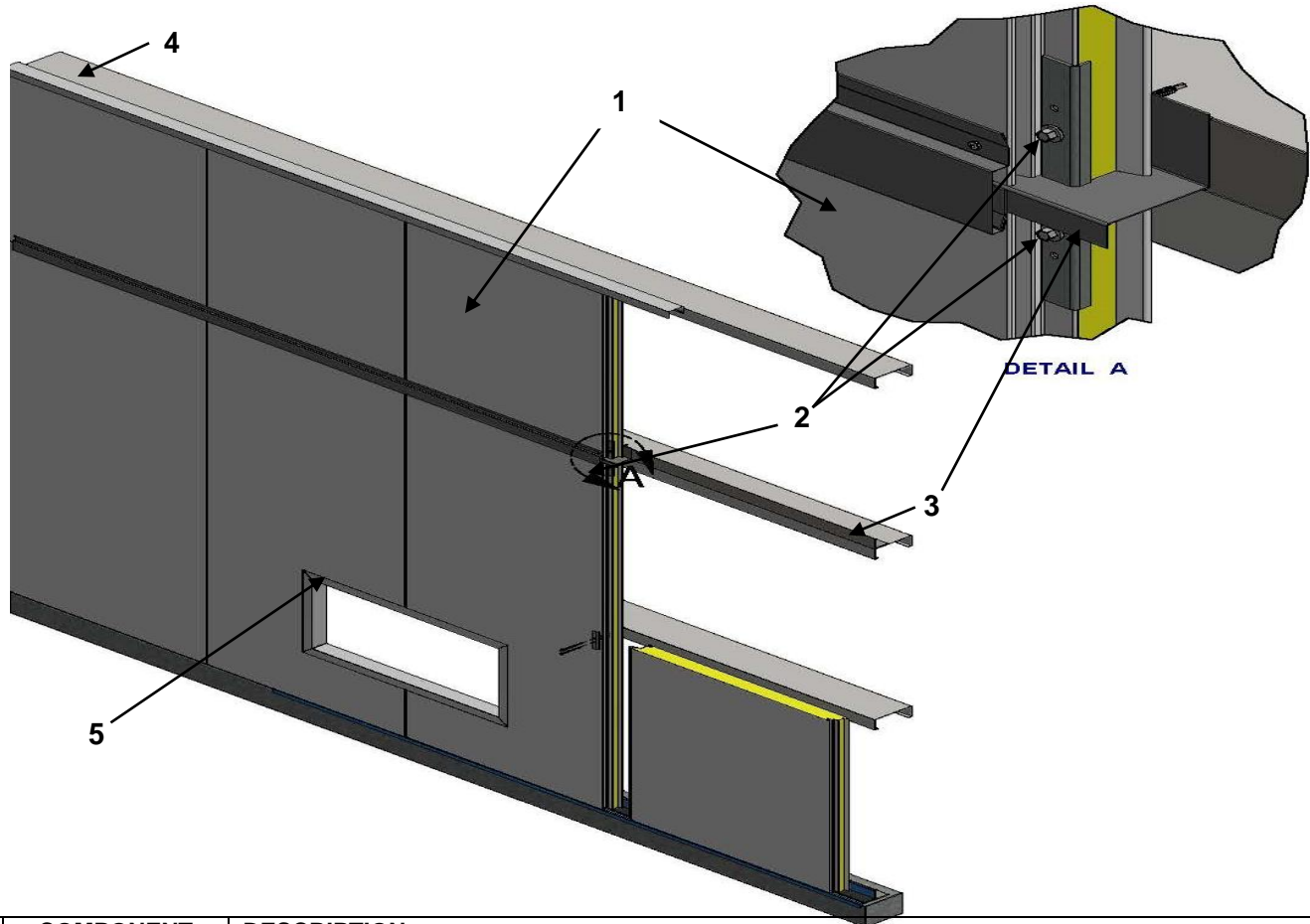
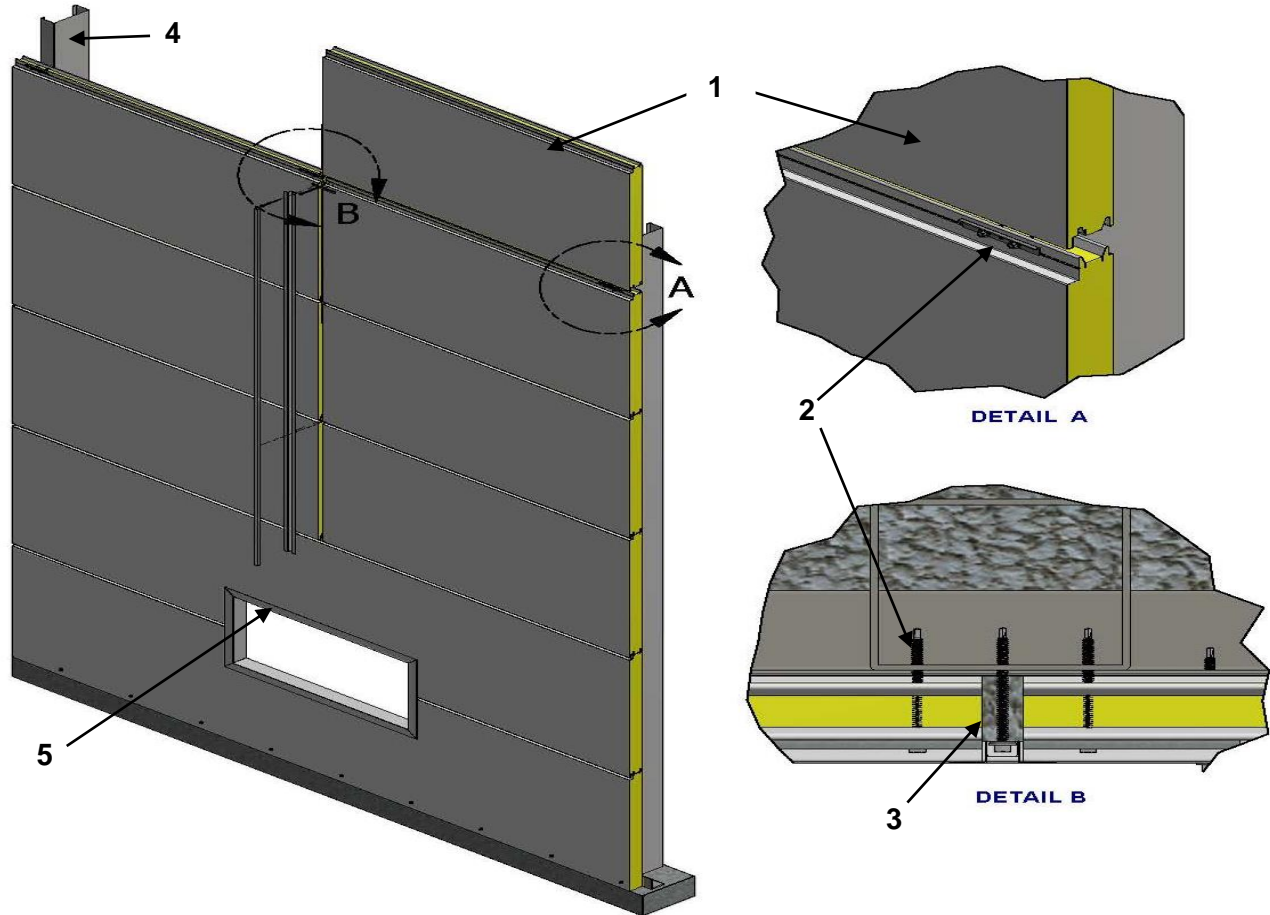


**QAI Design B1096-1d – Vertical Panel Installation  
 NFPA 285 - Exterior Wall Evaluated for Flame Propagation**



No.	COMPONENT	DESCRIPTION
1	NOREX Panels	Approved Types: NOREX-L, NOREX-M, NOREX-IN Panels
		Thickness: 51 – 204 mm (2 – 8 inches)
		Core: Polyisocyanurate (PIR) max. density 41.6 kg/m <sup>3</sup> (2.6 lbs/ft <sup>3</sup> ) with potential heat of combustion of 11,350 Btu/lbs per NFPA 259.
		Skins: Minimum 26 Gauge (0.0159 inches / 0.404 mm) G60 galvanized steel.
2	Panel Fastener	Installation: Installation to be done in accordance with Norbec Architectural' s Installation instructions, Design Professional, or the Authority Having Jurisdiction.
		Approved Types: Mechanical connection per Norbec Architectural' s Installation Instructions.
3	Panel Edge Flashing	Installation: Mechanical connection of panel to underlying structural members spaced per site specifications to resist intended design loads as determined by the Design Professional, or the Authority Having Jurisdiction.
		Approved Types: Minimum 26 Gauge (0.0159 inches / 0.404 mm) G60 galvanized steel.
4	Structural Members	Installation: Required at vertical panel connections as drip flashing and fire-blocking, as detailed by Norbec Architectural' s Installation instructions, Design Professional, or the Authority Having Jurisdiction.
		Approved Types: Structural supports, corrosion resistant, sized per project design.
5	Window Flashing	Installation: Design and spacing of structural members to be installed to resist intended design loads as determined by the Design Professional, or the Authority Having Jurisdiction.
		Approved Types: Minimum 26 Gauge (0.404 mm) G60 galvanized steel
		Installation: Installation around the window opening ensuring coverage of NOREX panels.

**QAI Design B1096-1b – Horizontal Panel Installation  
 NFPA 285 - Exterior Wall Evaluated for Flame Propagation**



No.	COMPONENT	DESCRIPTION	
1	NOREX Panels	Approved Types:	NOREX-H Panels
		Thickness:	51 – 102 mm (2 – 4 inches)
		Core:	Polyisocyanurate (PIR) max. density 41.6 kg/m <sup>3</sup> (2.6 lbs/ft <sup>3</sup> ) with potential heat of combustion of 11,350 Btu/lbs per NFPA 259.
		Skins:	Minimum 26 Gauge 0.404 mm (.0159 inches)
		Installation:	Installation to be done in accordance with Norbec Architectural' s Installation instructions, Design Professional, or the Authority Having Jurisdiction.
2	Panel Fastener	Approved Types:	Mechanical connection per Norbec Architectural' s Installation Instructions.
		Installation:	Mechanical connection of panel to underlying structural members spaced per site specifications to resist intended design loads as determined by the Design Professional, or the Authority Having Jurisdiction.

3	Panel Joint	Description:	Maximum 19 mm (3/4") joint width.
		Installation:	Vertical joints are required packed with mineral wool insulation. 18 gauge (1.02 mm / 0.040") galvanized steel trim of 76 mm x 19 mm x 76 mm (3" x 3/4" x 3") is applied as joint trim. The steel trim is to include a single bead of Hilti CFS-S SIL GG fire caulking applied over the interior trim edge facing the NOREX-H foam core. An additional single bead of Hilti CFS-S SIL GG fire caulking is required along the steel trim to exterior NOREX-H facer surface. The joint trim is required covered by a 22 gauge (0.643 mm / 0.025") Omega trim, anchored to the underlying structure with Tek screws of sufficient length, with maximum fastener spacing of 403 mm (12") on center.
4	Structural Members	Approved Types	Structural supports, corrosion resistant, sized per project design.
		Installation:	Design and spacing of structural members to be installed to resist intended design loads as determined by the Design Professional, or the Authority Having Jurisdiction.
5	Window Flashing	Approved Types	Minimum 22 gauge (0.643 mm / 0.025") G60 galvanized steel.
		Installation:	Window flashing is to be installed with self-tapping screws of minimum 19 mm (3/4") length at maximum 403 mm (12") on center spacing. The window flashing is to include a single bead of Hilti CFS-S SIL GG fire caulking applied on both the interior, and exterior panel surfaces at the panel to window flashing trim surface.

**Note:** Spacing of structural supports and anchoring of NOREX panels to the underlying structure are to be designed in accordance with the local codes.

Wind resistance and seismic considerations are outside the scope of this QAI listing.