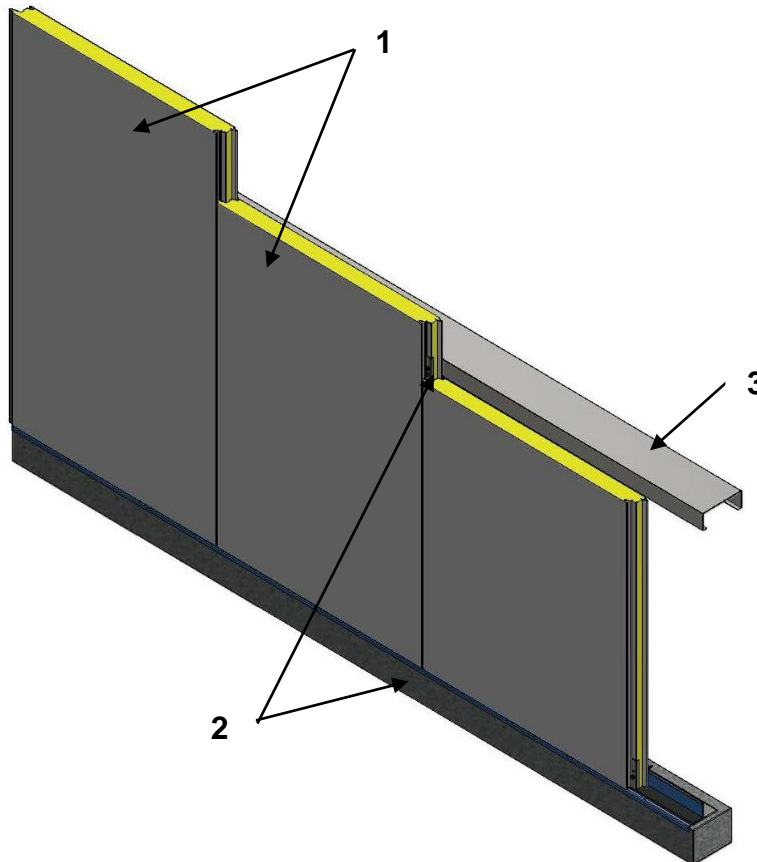


QAI LISTING B1096-1c
NOREX Panels - NBC 3.1.5.7 – 2) b) (CAN/ULC S101)
10 minute Remain-in-place - Non-Load Bearing Fire-Resistance-Rated Construction



NUMBER	PART	DESCRIPTION	
1	Wall Panel	Manufacturer:	Norbec Architectural
		Approved Types:	NOREX-L, NOREX-H, NOREX-S panels.
		Thickness:	51 – 152 mm (2 – 6 inches)
		Core:	Polyisocyanurate (PIR) maximum 41.6 kg/m ³ (2.6 lbs/ft ³)
		Skins:	Minimum 26 Gauge 0.404 mm (.0159 inches)
		Installation:	Panels can be installed vertically (NOREX-L and NOREX-S) or horizontally (NOREX-H not shown). Panels are manufactured with a factory installed silicone caulking on both female halves of the joint. Optional exterior butyl or silicone caulking can be applied. Panels are mechanically connected to underlying structural members spaced per site specifications to resist intended design loads as determined by the Design Professional, or the Authority Having Jurisdiction.
2	Joint Fasteners	Approved Types:	Sheet metal screw.
		Installation:	Joint stitch with sheet metal screw should be installed at panel ends.
3	Structural Members	Approved Types	Galvanized steel
		Installation:	Design and spacing of structural members to be installed to resist intended design loads as determined by the Design Professional, or the Authority Having Jurisdiction.

Note: Spacing of structural supports, and anchoring of NOREX panels to the underlying structure are to be designed in accordance with the local codes.

Wind resistance and seismic considerations are outside the scope of this QAI listing.