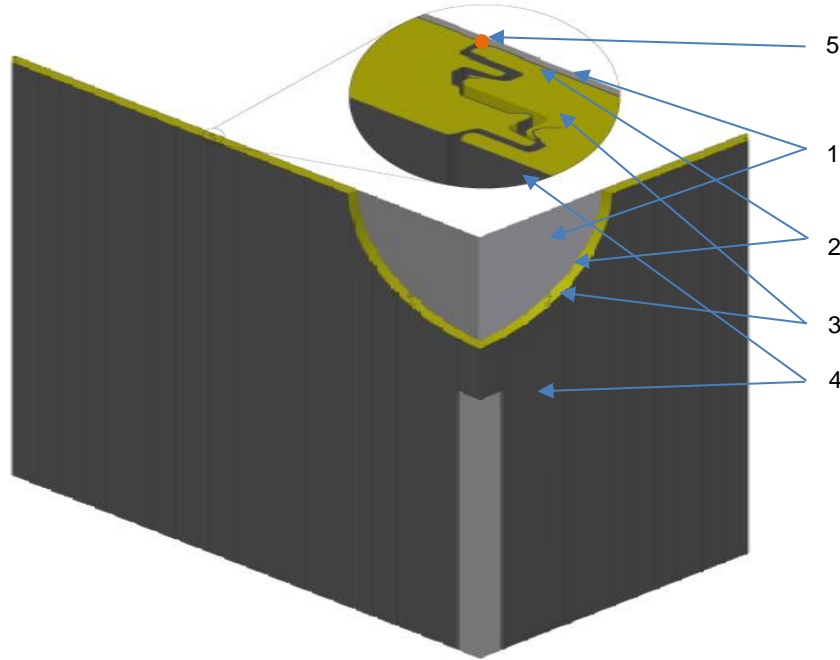


QAI LISTING B1087-2
METL-SPAN FRP CLEAN WALL & CEILING PANELS
(CF INSULATED METAL PANELS WITH FIBER REINFORCED PLASTIC (FRP) INTERIOR FINISH)
NFPA 286 / CLASS A FINISH ASSEMBLY / CAN/ULC S138 (SPRINKLERED)



No.	COMPONENT	DESCRIPTION
1	Interior Finish	Class A Fiber Reinforced Plastic (FRP) panel of Flame Spread Index of 25 or less, and Smoke Developed Index of 450 or less per ASTM E84. Flame Spread Index of 25 or less, and Smoke Developed Index of 250 or less per CAN/ULC S102. Joint filler is used to connect and seal FRP joints. When used as an interior partition panel, the FRP finish may be applied to both sides of the FRP Clean panel.
2, 4	Insulated Metal Panel Face	Minimum 26 (0.478 mm) Gauge Steel Face, available from Metl-Span in various colors and textures galvanized G90 galvanized corrosion resistance.
3	Foam Plastic Core	Metl-Span foam plastic core of nominal density 2.5 lbs/ft ³ (40 kg/m ³) and maximum thickness of 6 inches (150 mm).
5	Joint Filler	Class "A" FRP joint filler at the tongue and groove panel joint. Flame Spread Index of 25 or less, and Smoke Developed Index of 450 or less per ASTM E84.

*The above assembly has been evaluated and found compliant for use as Class A interior finish as outlined in the International Building Code Section 803.1.1 Interior Wall and Ceiling Finish Materials (or Section 803.1 on some code editions), and complies with Section 803.12 Stability (or Section 803.3 on some code editions).

*The above assembly has been evaluated and found compliant for use as interior walls and ceilings in single story buildings of Type I, II, III, and IV construction per Chapter 26 of the International Building Code for use without a code prescribed thermal barrier per testing in accordance with Section 2603.9 Special Approval (or Section 2306.10 on some code editions).

*The above assembly has been evaluated and complies with *Protection of Foam Plastic* for use in *Combustible Construction* where no Group B or Group C major occupancies are present, as outlined in Section 3.1.4.2 of the National Building Code of Canada (NBC).

*The above assembly has been evaluated and complies with *Combustible Insulation and its Protection* for use in *Non-combustible Construction* for buildings that are sprinklered, the building is < 18 meters high, no Group A, Group B, or Group C major occupancies exist, the panel contains no spaces, as outlined in Section 3.1.5.12 (7) of the National Building Code of Canada (NBC).

*This assembly is not evaluated for fire-resistance rated wall applications.