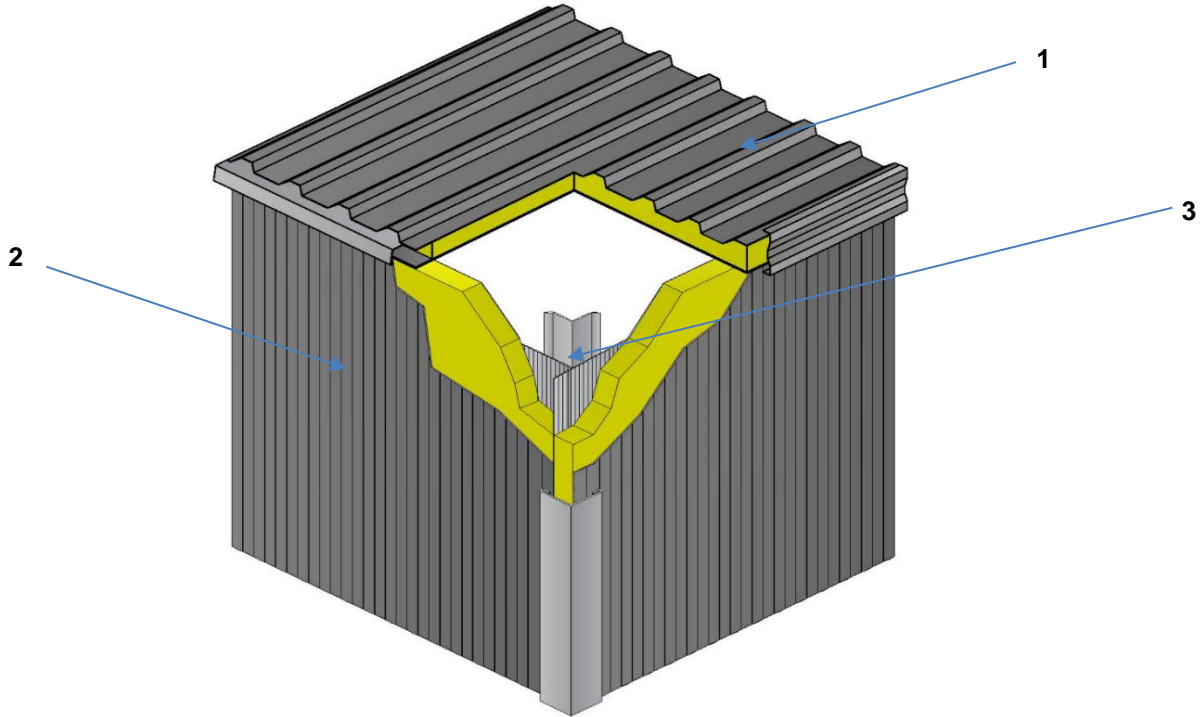


QAI LISTING B1102-1a
FALK PANELS CANADA LTD. WALL & ROOF / CEILING PANELS
CAN/ULC S138 ROOM CONFIGURATION



NUMBER	PART	DESCRIPTION	
1	Roof Panel	Listee:	Falk Panels Canada Ltd.
		Approved Product(s):	GL / 1000 TR / 1000 TR+ Panels
		Facers:	Minimum 0.404 mm (26 Gauge) steel.
		Core:	Maximum thickness 185 mm (7-1/4 inches) Polyisocyanurate foam, maximum density 40 kg/m ³ (2.5 lbs/ft ³).
		Joint:	Female / Male connection. Optional fasteners and sealants can be used.
		Installation:	Friction fit joints to ensure tight connection. Joint stitching and / or joint sealant is optional.
2	Wall Panel	Listee:	Falk Panels Canada Ltd.
		Approved Product(s):	1060 WB / GL / 1000 TR / 1000 TR+ Panels
		Facers:	Minimum 0.404 mm (26 Gauge) steel.
		Core:	Maximum thickness 155 mm (6 inches) Polyisocyanurate foam, maximum density 40 kg/m ³ (2.5 lbs/ft ³).
		Joint:	Female / Male connection. Optional fasteners and sealants can be used.
		Installation:	Friction fit joints to ensure tight connection. Joint stitching and / or joint sealant is optional.
3	Joint Flashing	General:	Light Gauge steel flashing mechanically secured to protect room corner joints.
4	Sprinkler (Not Shown)	General:	155°F (68°C) activation temperature, pendant style listed sprinklers listed by an approved agency.