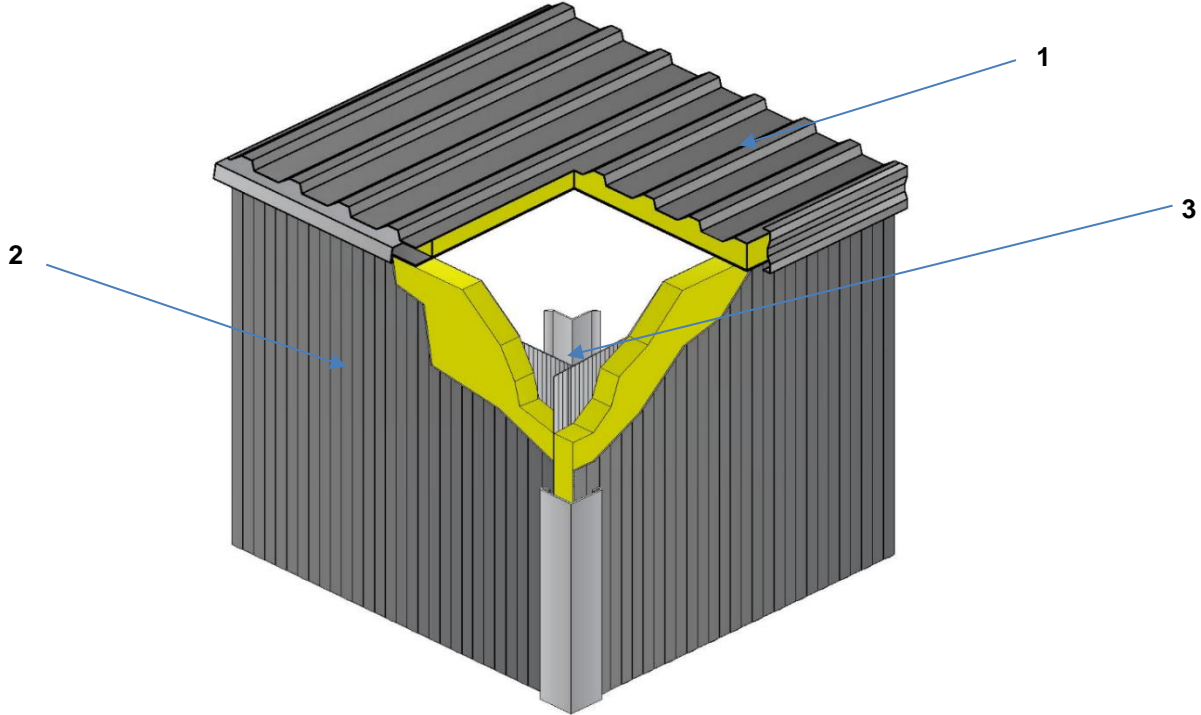


QAI LISTING B1113-1a
ECOSPAN PROFILES WALL & ROOF / CEILING PANELS
CAN/ULC S138 ROOM CONFIGURATION



NUMBER	PART	DESCRIPTION	
1	Roof Panel	Listee:	EcoSpan Profiles Ltd.
		Approved Product(s):	Skyline Roof Panels
		Facers:	Minimum 0.404 mm (26 Gauge) steel.
		Core:	Maximum thickness 152 mm (6 inches) of maximum 43 kg/m ³ (2.7 lbs/ft ³) density polyisocyanurate foam plastic.
		Joint:	Female / Male connection. Optional fasteners and sealants can be used.
		Installation:	Friction fit joints to ensure tight connection. Joint stitching and / or joint sealant is optional.
2	Wall Panel	Listee:	EcoSpan Profiles Ltd.
		Approved Product(s):	Edge and Skyline Wall Panels
		Facers:	Minimum 0.404 mm (26 Gauge) steel.
		Core:	Maximum thickness 152 mm (6 inches) of maximum 43 kg/m ³ (2.7 lbs/ft ³) density polyisocyanurate foam plastic.
		Joint:	Female / Male connection. Optional fasteners and sealants can be used.
		Installation:	Friction fit joints to ensure tight connection. Joint stitching and / or joint sealant is optional.
3	Joint Flashing	General:	Light Gauge steel flashing mechanically secured to protect room corner joints.
4	Sprinkler (Not Shown)	General:	155°F (68°C) activation temperature, pendant style listed sprinklers listed by an approved agency.