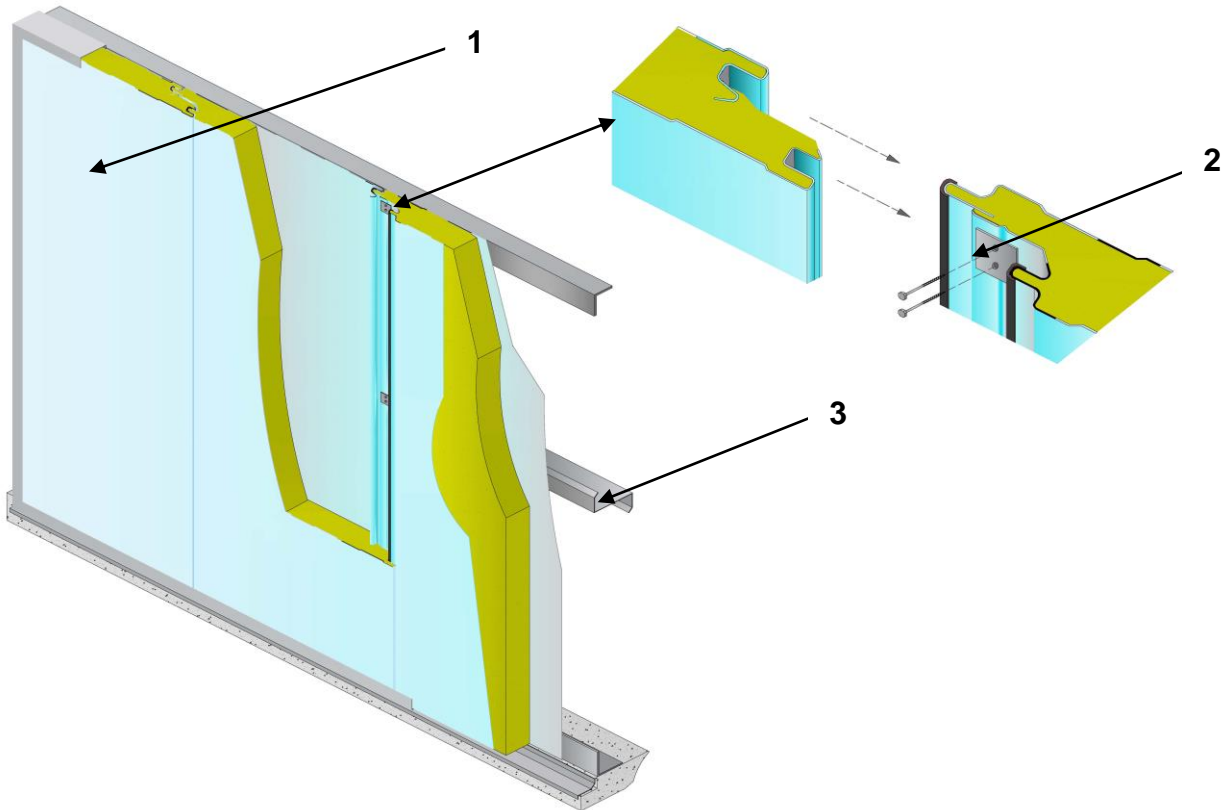


QAI LISTING B1113-1c
Ecospan Profiles Ltd. - NBC 3.1.5.12 – 4(d) (CAN/ULC S101)
15 minute Remain-in-place - Non-Load Bearing Fire-Resistance-Rated Construction



NUMBER	PART	DESCRIPTION	
1	Wall Panel	Listee:	Ecospan Profiles Inc.
		Approved Product(s):	Edge, Skyline Wall Panels
		Facers:	Minimum 0.404 mm (26 Gauge) steel.
		Core:	Maximum thickness: 152 mm (6 inches) Polyisocyanurate foam Maximum density: 43 kg/m ³ (2.7 lbs/ft ³).
		Joint:	Female / Male connection. Joints to include silicone sealant per manufacturer's installation instructions. Joint stitching is optional.
		Installation:	Panels can be mounted vertically or horizontally. Panels to be mechanically secured with hidden clip system (see Number 3) to supports, with support spacing and anchoring designed in accordance with loading requirements per the applicable code, but at maximum spacing of 3048 mm (120 inches) on center.
2	Hidden Clip	General:	Manufacturer provided hidden clip system consisted of steel plate with #14 self-drilling pancake screws of sufficient length to penetrate steel supports to provide panel support. Spacing of clip system should be sufficient to resist required loading per the applicable code.
3	Structural Support	General:	Steel supports at maximum 3048 mm (10 ft) spacing, designed per the applicable code for resisting expected service loads.

Note: Wind resistance and seismic considerations are outside the scope of QAI listing. Site specific installation details for addressing loading applications are to be designed in accordance by the governing code by a Registered Design Professional and approved by the Authority Having Jurisdiction.