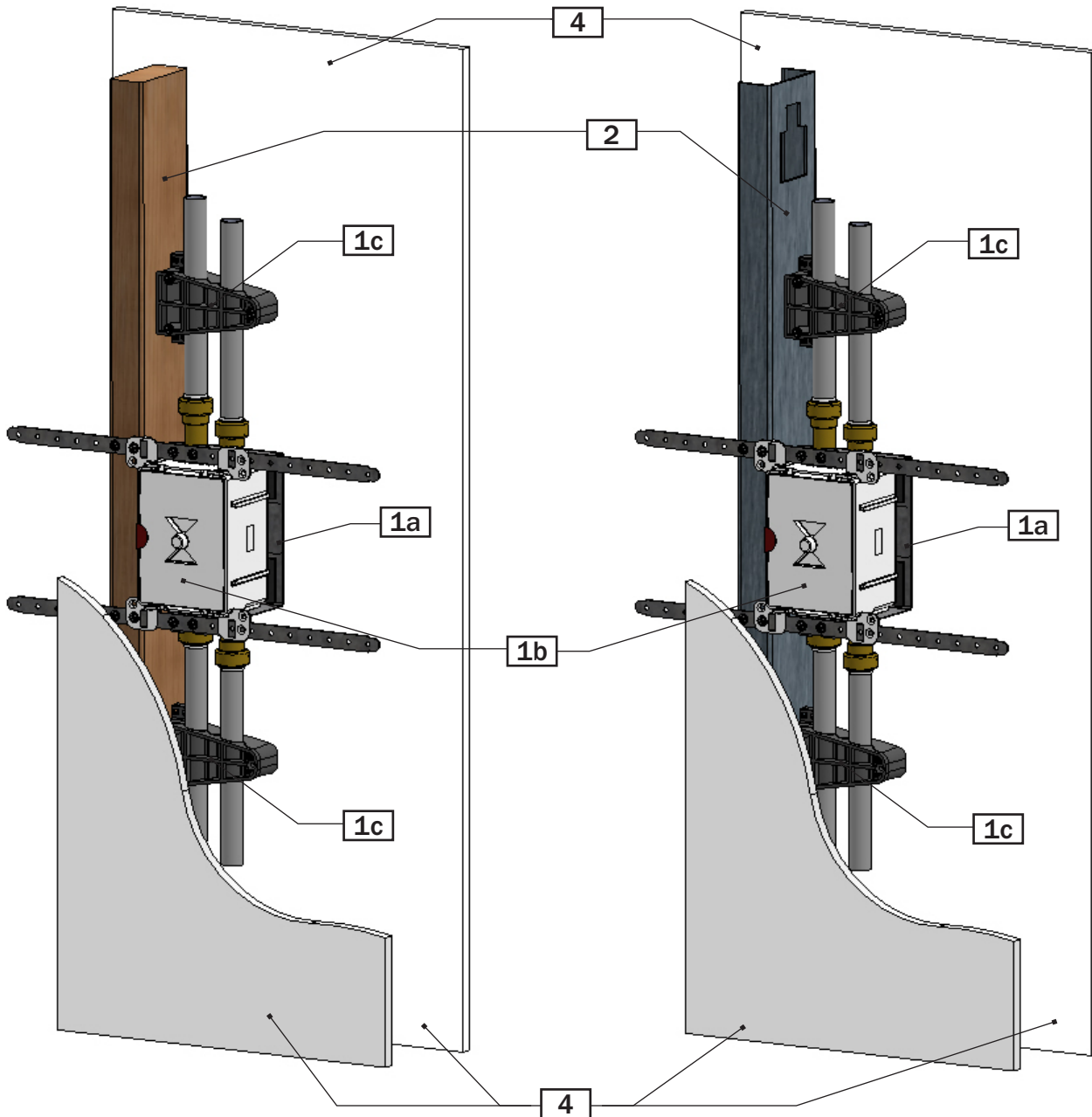


QAI Listing B1147-1H: SIOUX CHIEF SERVICEBOX™ FIRE SHIELD PENETRATION FIRESTOPS
ASTM E814 / CAN/ULC S115
1 Hour Membrane Penetration Assembly - Non-Load Bearing



No.	COMPONENT	DESCRIPTION
1a	Fire Shield	Type: Sioux Chief Fire Shield steel shroud with factory applied intumescent. Mounted onto steel hangers around outlet box.
		Size: 22-gauge (0.7 mm) steel shroud of 4-1/2-inch (115 mm) width x 5-3/4-inches (148 mm) height.
		Installation: The Fire Shield consists of two-pieces. The shield is mounted to the back of the ServiceBox™ on steel hangers. Hangers are fastened to stud(s) with minimum #6 1/2-inches (13 mm) length screws. Fire Shield shroud is attached to steel hangers with two (2) 1/2-inch (13 mm) self-drilling screws at the steel shroud top and two self-drilling screws anchoring the shroud to the steel hanger at the shroud bottom. Fire Shield is permitted to be installed on each single ServiceBox™ outlet box for fire-rated installations. For outlet box assemblies utilizing over-stud installation there would need to be a skipped stud cavity from each box penetration to any additional box penetration. For outlet box assembly pairs per cavity (water heater and stacked variations) there would need to be a skipped stud cavity on either side of the box assembly. Cavity is defined by the presence of a floor to ceiling stud.
1b	ServiceBox™	Type: Sioux Chief ServiceBox™ Access Box.
		Overall Size: Per outlet box: Maximum 4.04-inches (104 mm) width x 5.73-inches (146 mm) height x 3.87-inches (98 mm) depth.
		Description: Sioux Chief ServiceBox™ provides tailpiece access through box to water supply and feed lines. Typical applications include full shutoff of hot/cold lines to a dwelling, isolation and access to pressure reducing valve, water heater line access or water softener feed/supply and brine lines. Boxes with valve shutoff include a molded positioning plate/debris cover plate on the interior of the service box. ServiceBox products (687-series) are made with fire-resistant resin including box housing, debris covers and valve plates, outlet end inserts, frames and extensions. For wall construction in double 5/8 gypsum walls, an extension can be used to extend the outlet box face. The trim plate or frame fits either directly inside the outlet box face or the extension.
		Installation: The ServiceBox™ shall be placed in a 16" stud cavity singularly, stacked, side x side or over a stud. For every outlet box wall penetration, the adjoining stud cavity must be skipped or have no box penetration. ServiceBox products shall be affixed directly to a stud, or on galvanized steel brackets spanning two studs and mechanically fasted to studs. Each outlet box shall be coupled with a Fire Shield that is interlocked at the ServiceBox rear and affixed to the brackets. Approved plumbing piping and accessories are connected to the inlet/outlet as required. ServiceBox™ 2-hour box extension and trim plate are installed after the gypsum board to complete the installation. The installation of plumbing piping and accessories is to be in accordance with the local code and is outside the scope of this product listing.
1c	MainBlock™ Tube Anchor	Type: MainBlock™ ServiceBox bracket
		Description: Single or double pipe bracket. Fire-resistant ABS. 2 piece assembly with fasteners.
		Installation: After box is preferably affixed to stud and after installation of the supply tubing to inlet/outlet of each ServiceBox, The MainBlock™ Block A shall be secured to the stud using the supplied longer pan head screws around the backside of the tubing or box inlet/outlet shank. Block B is installed in a sandwiching fashion to Block A and secured with provided screws. Boxes affixed on or to flat brackets within a stud cavity do not use MainBlock supports.
2	Wall Studs	Studs: Minimum nominal 2 x 4 in. (38 x 140 mm) wood studs or 3-5/8-inch (92 mm) depth 25-gauge (0.5 mm) steel studs complying with governing code requirements.
		Stud Spacing: Maximum spacing of 16-inches (405 mm).
		Installation: Wood studs: Wood studs are to be anchored to sill and header plates at the ceiling and floor line in accordance with the local governing code. Steel studs: Steel studs are to be friction fit into steel C-channel of appropriate sizing in accordance with good framing practice. Anchoring of top and bottom tracks (sill and header plates) is to be in accordance with the local governing code.
3	Insulation Optional (Not Shown)	Type: Fiberglass or mineral fiber batt insulation.
		Installation: Insulation can be installed in adjacent cavities, or around the installed ServiceBox™ penetrations without affecting the fire-resistance ratings.
4	Gypsum Board	Type: Type X gypsum board complying with ASTM C1396 and labeled by an approved agency.
		Minimum Thickness: 5/8-inches (16 mm). Per wall layer
		Installation: Gypsum board is to be anchored to the underlying framing members with minimum #6 1-5/8-inch (41 mm) length drywall screws spaced maximally 24-inches (305 mm) on center around the perimeter and in the field. Joints are to be taped and include 2 applications of joint compound, including at fastener head locations. Gypsum joints are to be offset between the 2 wall faces.