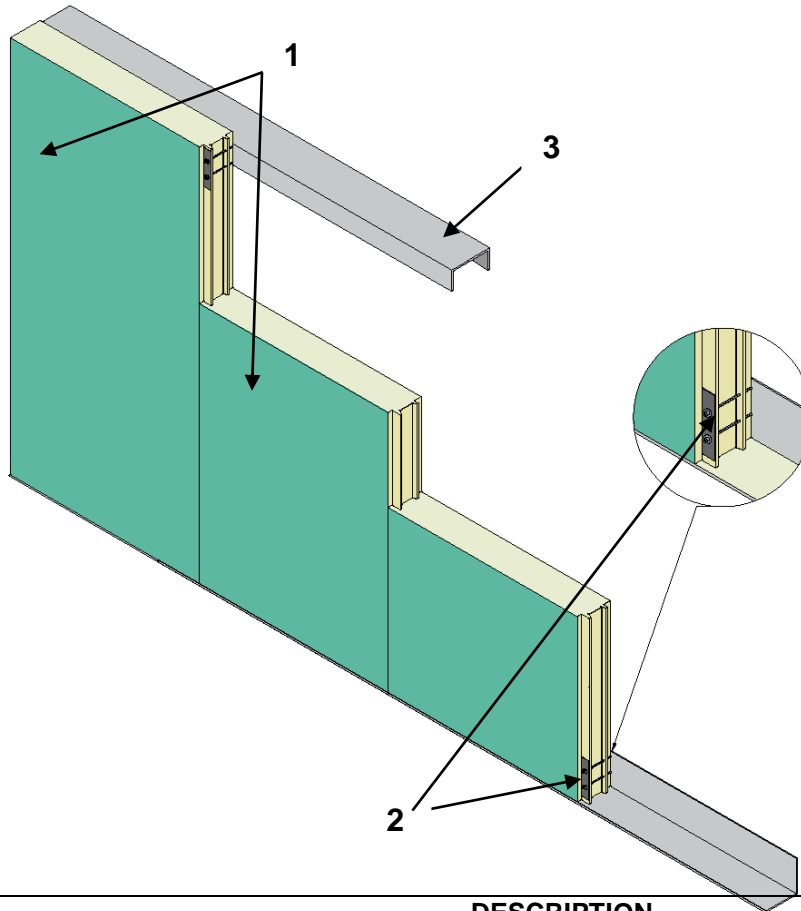


QAI LISTING B1142-1b
FALK PANELS- NBC 3.1.5.7 – 2) b) (CAN/ULC S101)
10-Minute Remain-in-place - Non-Load Bearing Fire-Resistance-Rated Construction



NUMBER	PART	DESCRIPTION	
1	Wall Panel	Manufacturer:	Falk Panel LLC
		Approved Types:	HFW-40 panels.
		Thickness:	51 – 152 mm (2 – 6 inches)
		Core:	Polyisocyanurate (PIR) maximum 41.6 kg/m ³ (2.6 lbs/ft ³)
		Skins:	Minimum 24 Gauge 0.5 mm (.0159 inches)
	Installation:	Panels can be installed vertically or horizontally. Panels are manufactured with a factory installed gasket in the joint. Optional exterior sealant / caulking can be applied. Panels are mechanically connected to underlying structural members spaced per site specifications to resist intended design loads as determined by the Design Professional, or the Authority Having Jurisdiction.	
2	Connection	Approved Types:	Falk Production hidden clip system.
		Installation:	6 mm (1/4-inch) thickness steel hidden clip at the top and bottom of panel, at maximum 3.05 m (10 ft) spacing.
3	Structural Members	Approved Types	Galvanized steel
		Installation:	Design and spacing of structural members to be installed to resist intended design loads as determined by the Design Professional, or the Authority Having Jurisdiction.

Note: Spacing of structural supports and anchoring of panels to the underlying structure are to be designed in accordance with the local codes.

Wind resistance and seismic considerations are outside the scope of this QAI listing.